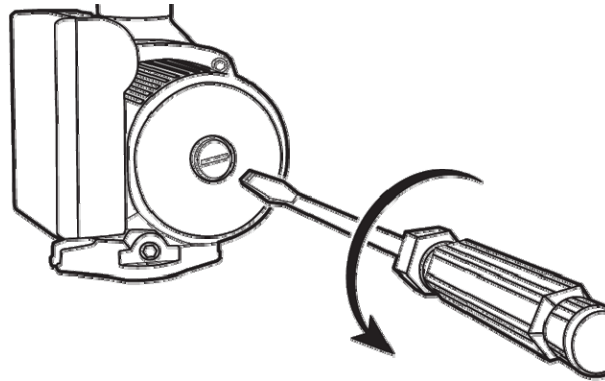


The pump commissioning procedure should be followed before the boiler is fired for the first time.

### Pump Commissioning Procedure

1. Remove the pump vent screw.
2. Use a small flat head screw driver to ensure the impeller spins freely.
3. When the impeller spins freely and water exits through the vent port the pump is ready for operation.
4. Replace the pump vent screw.



If the pump impeller does not turn freely follow the steps below.

1. Unplug the pump
2. Unscrew the four screws (see the picture below) holding the pump motor assembly to the volute
3. Using your hand spin the impeller until it moves freely
4. Replace the pump motor assembly and screw back into place.

